



ACTIMO® M

Standard Seat with
Mechanical Suspension



TECHNICAL DATA

ACTIMO® M

The seat is easy to set to the user's weight using a crank at the front. This is essential for optimizing the mechanical suspension's response to vibrations. The seat's height can also be set to any of three positions over 60 mm depending on the operator's size and the kind of work being done.



Mechanical Suspension



Mechanical Lumbar Support



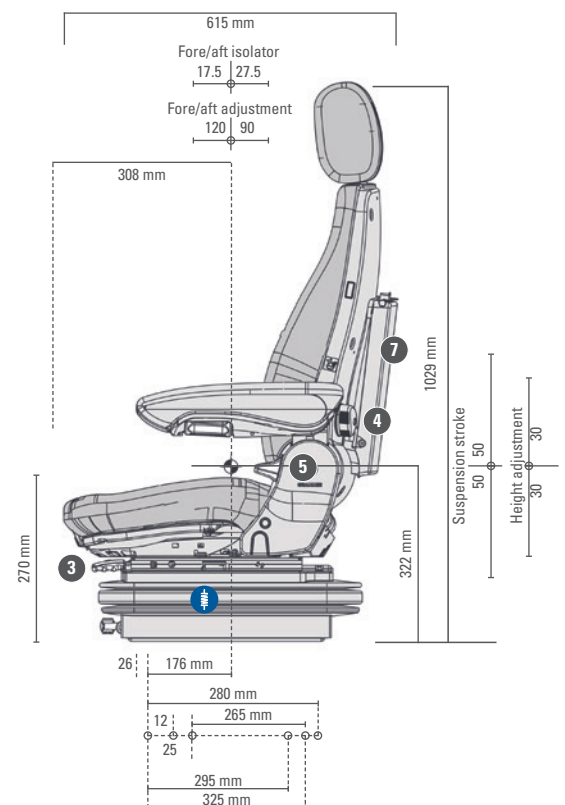
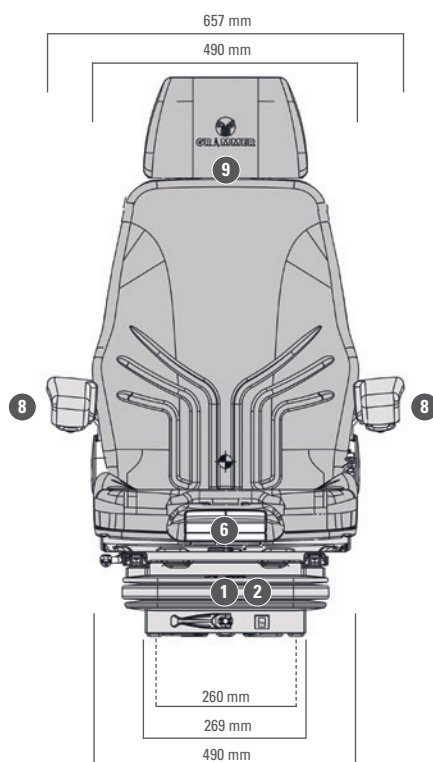
Manual Weight Adjustment

Features ● Standard ○ Optional

	ACTIMO® M
Article no. fabric	1294547
Article no. imitation leather	143734
Shock absorber nonadjustable	●
Suspension	
● Mechanical suspension	●
Suspension stroke 100 mm	●
① Weight adjustment 50 - 130 kg, mechanical	●
② Height adjustment 60 mm, 3-step (mechanical)	●
③ Fore/aft adjustment 210 mm	●
④ Lumbar support mechanical	●
⑤ Adjustable backrest angle	●
Seat cushion width	490 mm
⑥ Adjustable seat cushion depth and angle	●

	ACTIMO® M
OPTIONAL FEATURES	
⑦ Document box	○
⑧ Armrests, height-adjustable and foldable	○
65 mm x 270 mm	○
80 mm x 320 mm, adjustable angle	○
80 mm x 380 mm, adjustable angle	○
⑨ Headrest	○
Restraint system	○
Lateral suspension	○
Seat heating	○
Operator presence switch (OPS)	○
Control carrier consoles	○

Measurements (installation dimensions)



All dimensions in mm.
Subject to technical changes.